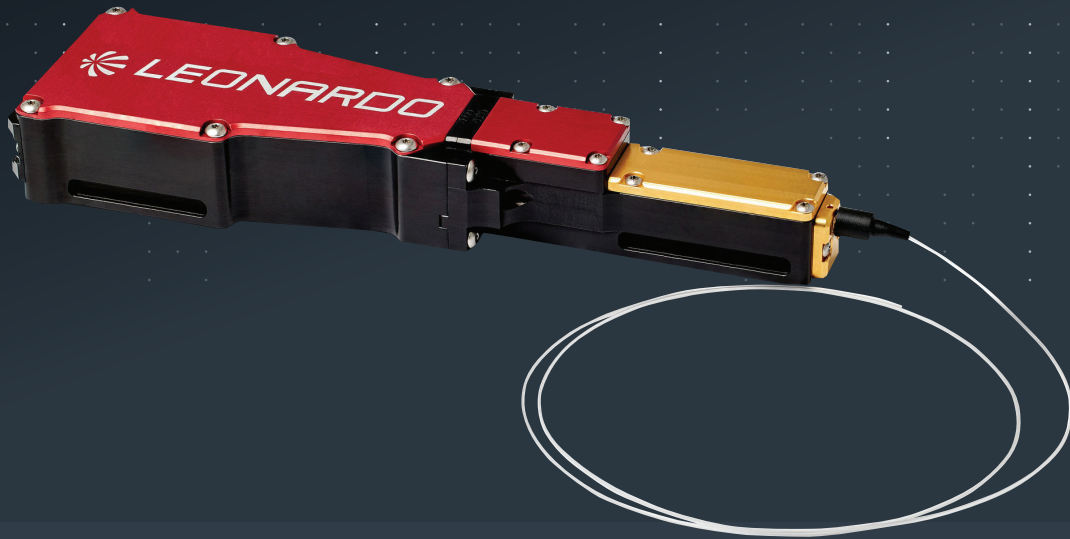


FIBER-COUPLED LASER DIODE



Leonardo's F8 fiber-coupled diode provides very high brightness in a small, lightweight, and compact package. The F8 combines our world-class semiconductor laser diode bars with an optical system that allows for efficient coupling into a delivery fiber for fiber laser pumping applications.

KEY BENEFITS

- Low SWaP
 - Reduced demand on thermal and power systems
- High electrical-to-optical efficiency
- Military rugged (ground, air, and space)
- High brightness

KEY FEATURES

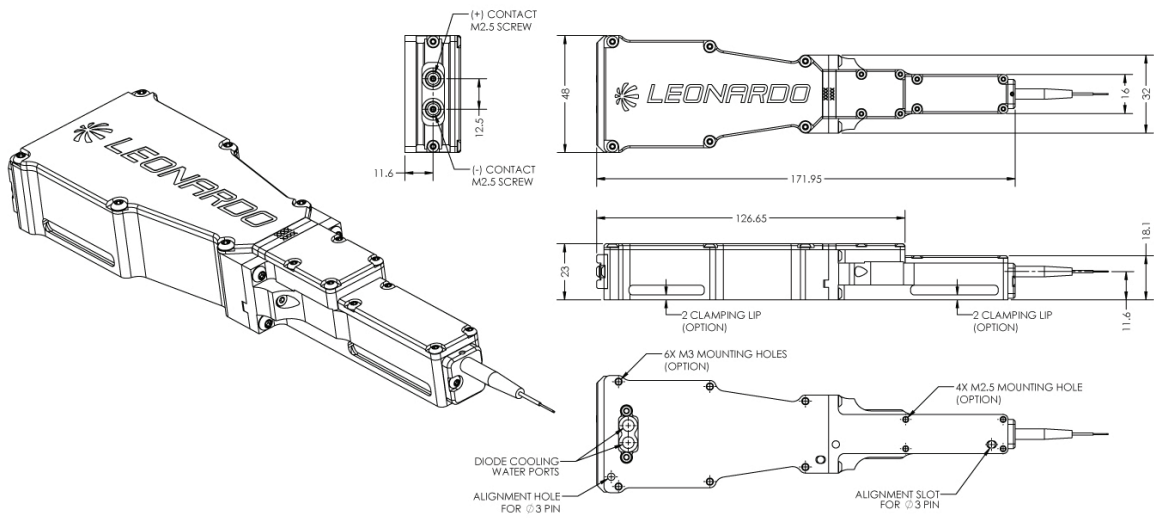
- Simplified, efficient optical system
- Wavelength stabilized
- Ultra-compact and lightweight
- Scalable for higher powers

TYPICAL FIBER-COUPLED LASER DIODE SPECIFICATIONS

Description		
Product Type	F8 - Laser Diode	
Cooling Type	Filtered Water	

Typical Parameters (at 20°C)	Units	Typical Value
Optical		
CW Output Power	W	500
Center Wavelength	nm	976
Power Conversion Efficiency	%	≥48
Mechanical		
Package Mass (dry)	g	200
Package Volume	cm ³	225
Operating Temperature	°C	20
Fiber Core Diameter	μm	225
Fiber Numerical Aperture		0.22
Electrical		
Threshold Current	A	2
Operating Current	A	29
Operating Voltage	V	34

MECHANICAL SPECIFICATIONS



Leonardo Electronics US Inc.
 7775 N. Casa Grande Highway
 Tucson, AZ – 85743 – USA
 520 744 5700
 sales@leonardo.us

Patent Numbers:
 US 7,660,335 | US 7,864,825 | US 6,352,873 | US 6,295,307

Certifications:
 AS 9100D Including ISO 9001:2015 Aerospace
 ISO 13485:2016 Medical
 IATF 16949:2016 Automotive
 ISO 14001:2015 Environmental Management System



leonardo.us

