

Mini-MegaWatt

Laser Diode

Leonardo’s Mini-MegaWatt laser diode provides over 1 megawatt of peak output power in a small, compact and lightweight package. Utilizing semiconductor diode bars with over 1 kW of power per bar, the scaled module Mini-MegaWatt represents the highest brightness and highest-powered laser diode assembly available in the market.

KEY FEATURES

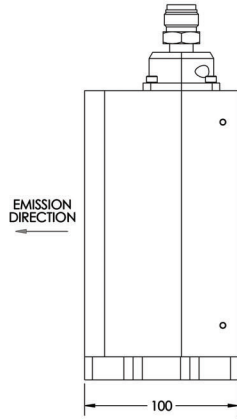
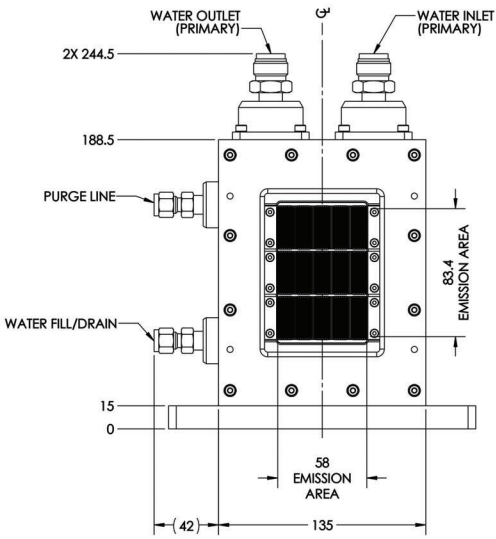
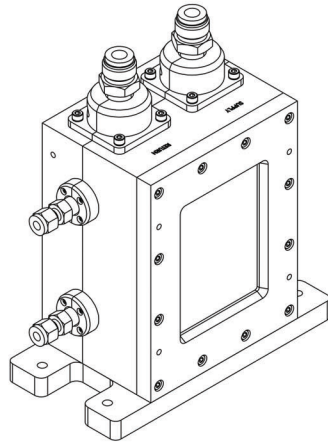
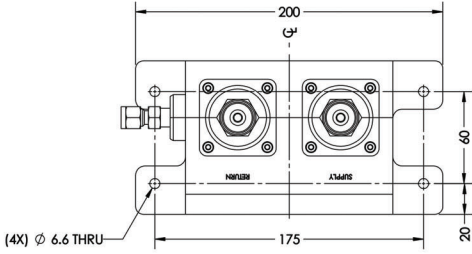
- 760 nm to 1700 nm
- Environmentally protected environment
- Compatible with industrial water and alternative cooling fluids
- Wavelength stabilized options
- Compact and lightweight
- Scalable for higher powers



TYPICAL SPECIFICATIONS

1400 nm - 1700 nm		
Typical Parameters (at 25°C)	Units	Typical Value
Array Peak Output Power	W	10 ⁶
Emission Area	mm	58 x 63.4
Operation Mode		Pulsed
Operating Current	A	1,200
Number of Bars	#	1,000
Power Conversion Efficiency	%	45
Bar to Bar Pitch	mm	0.35
Beam Divergence		
Fast Axis (FWHM)	°	30
Slow Axis (FWHM)	°	10

MECHANICAL SPECIFICATIONS



ABOUT US

Leonardo Electronics US enables next-gen technologies in defense, security, medical, automotive and industrial segments. For over 20 years, the Tucson, AZ based facility has driven robust laser design and innovation resulting in enabling technology to support market leaders worldwide.

520.744.5700 | sales@leonardo.us

Patent Numbers:

US 7,660,335 | US 7,864,825
US 6,352,873 | US 6,295,307

Certifications:

AS9100D including ISO 9001:2015
ISO 13485:2016 Medical
IATF 16949:2016 Automotive
ISO14001:2016 Environmental Management System

leonardo.us

