

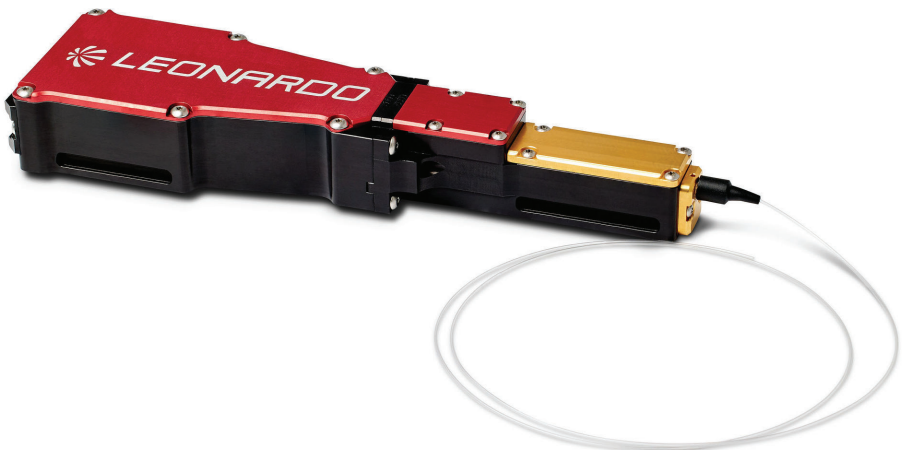
F8

Fiber-Coupled Laser Diode

Leonardo's F8 fiber-coupled laser diode provides very high brightness in a small, lightweight, and compact package. The F8 combines our world-class semiconductor laser diode bars with an optical system that allows for efficient coupling into a delivery fiber for industrial fiber laser pumping applications.

KEY FEATURES

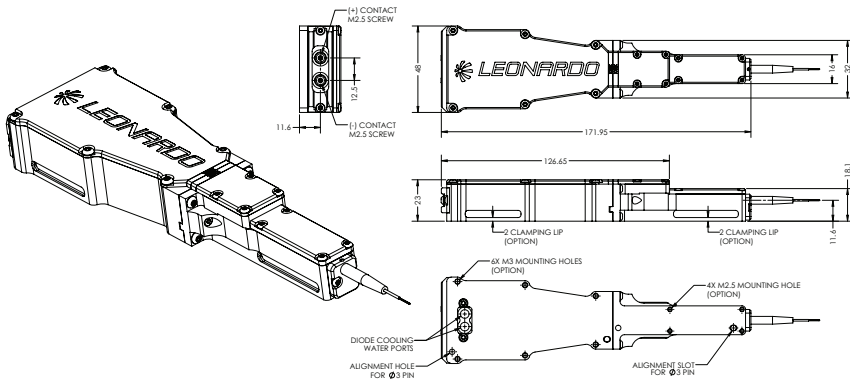
- Simplified optical system
- Wavelength stabilized options
- Industrially rugged
- Long operating lifetime
- Compact and lightweight
- Scalable for higher powers



TYPICAL SPECIFICATIONS

Typical Parameters (at 20°C)	Units	Typical Value
Optical		
CW Output Power	W	500
Center Wavelength	nm	976
Power Conversion Efficiency	%	≥48
Mechanical		
Package Mass (dry)	g	200
Package Volume	cm ³	225
Operating Temperature	°C	20
Fiber Core Diameter	μm	225
Fiber Numerical Aperture		0.22
Electrical		
Threshold Current	A	2
Operating Current	A	29
Operating Voltage	V	34

MECHANICAL SPECIFICATIONS



ABOUT US

Leonardo Electronics US enables next-gen technologies in defense, security, medical, automotive and industrial segments. For over 20 years, the Tucson, AZ based facility has driven robust laser design and innovation resulting in enabling technology to support market leaders worldwide.

520.744.5700 | sales@leonardo.us

Patent Numbers:

US 7,660,335 | US 7,864,825
 US 6,352,873 | US 6,295,307

Certifications:

AS9100D including ISO 9001:2015
 ISO 13485:2016 Medical
 IATF 16949:2016 Automotive
 ISO14001:2016 Environmental Management System

leonardo.us

