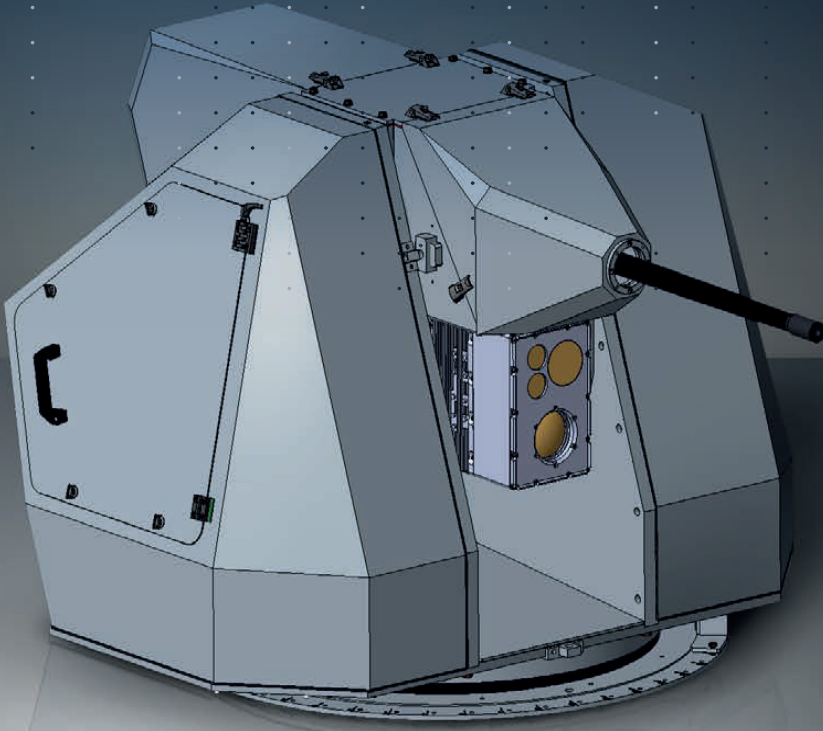


# LIONFISH® 12.7 TOP



The LIONFISH® 12.7 Top is a remotely-controlled stealth small caliber naval gun system, conceived to meet the most demanding requirements of the ASyW due to its large magazine. It is used by law and military enforcement, as primary or secondary armament, in different operative scenarios such as border control, maritime traffic interdiction and self-protection, even in case of threats surrounding the ship (for example in hijacking attempts) thanks to its elevate downwards aiming limit and dynamic performances.

The LIONFISH® 12.7 Top can be fitted with different types of 12.7 mm weapons. The weapon is feed by a 400 ready to fire rounds magazine, compatible with a wide variety of 12.7 x 99 NATO standard ammunitions such as: AP, API, APT, APIT, M33 ball.

The aiming system is fully stabilized in elevation and azimuth by means of powerful servo-systems in closed loop with both two independent gyros and two tachometers for redundancy.

All the components are fully protected by a stealth shield to minimize the RCS and allow the operation in the most severe environments, in addition a de-icing system can be supplied as option.

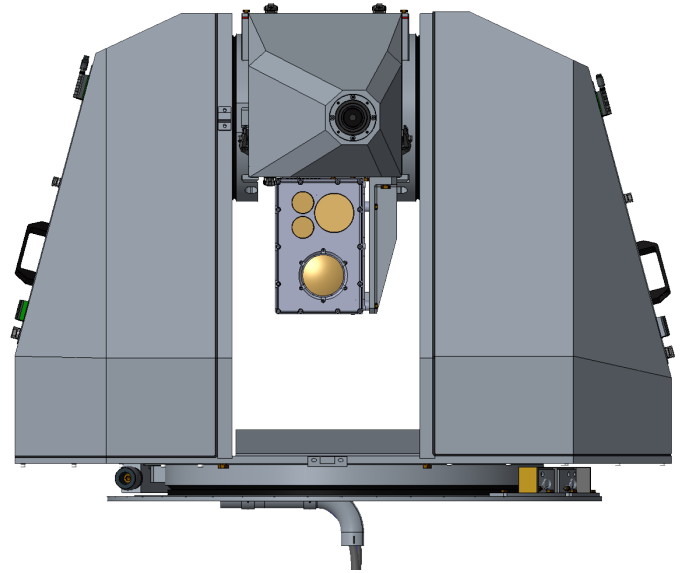
The LIONFISH® 12.7 Top is remotely controlled through its own Local Control Console and it is able to autonomously determine the stabilized firing coordinates by performing ballistic and target trajectory calculations.

The Electro-Optical Director is constituted of a highly accurate sensors suite (with an automatic tracking functionality) constituted of a daylight camera, an IR camera and a LASER Range Finder.

The LIONFISH® 12.7 Top is equipped with handles in the external rear part of the cradle for manual conduction and firing of the gun in case of emergency.

## KEY FEATURES

- effective against any asymmetric surface threats, helicopters and drones;
- light weight and compact dimensions;
- fully stabilized on two independent axes providing great accuracy;
- high dynamic performances;
- high number of ready to fire rounds;
- elevate downwards aiming limit and dynamic performances;
- stealth design;
- high reliability and ease of maintenance;
- innovative user-friendly Local Control Console;
- logistic communality inside LIONFISH® family;
- no deck penetration



## TECHNICAL SPECIFICATIONS

<b>Caliber</b>	12.7 x 99 NATO
<b>Rate of fire (1)</b>	single shot, 300 RPM, 485 to 635 RPM
<b>Ready to fire rounds</b>	400
<b>Maximum range</b>	1500 m
<b>Training range</b>	-155° to 155°
<b>Elevation range</b>	-30÷75°
<b>Training and elevation speed (acceleration)</b>	60°/s, (150°/s <sup>2</sup> )
<b>Mass without ammunition</b>	< 300 Kg
<b>Day Camera (2)</b>	9.5 / 4.8 / 2.7 Km D / R / I
<b>IR Camera (2) (3)</b>	12 / 6 / 3.3 Km D / R / I
<b>LRF (2)</b>	5.5 Km

(1): Depending on the used machine gun.

(2): Typical performances achieved with respect to a NATO standard target.

(3): Valid for cooled sensor, uncooled one is available too.



Local Control Panel

### For more information:

infomarketing@leonardo.com

### Electronics Division

Via Valdilicchi 15

19136 La Spezia-Italy

T +39 0187 5811

F +39 0586 854060



leonardo.com

This publication is issued to provide outline information only and is supplied without liability for errors or omissions.

No part of it may be reproduced or used unless authorised in writing.

We reserve the right to modify or revise all or part of this document without notice.

2022 © Leonardo S.p.A.

MM08728 06-22

