

ELECTRONICS DIVISION

OTO 127/64 LW

VULCANO SYSTEM



The OTO 127/64 LW -VULCANO System consists of four key sub-systems:

- Medium calibre OTO 127/64 LW Gun assembly
- Automated Ammunition Handling System
- Naval Fire Control Support
- OTO VULCANO family of ammunition

The OTO 127/64 LW -VULCANO is a state-of-the-art medium calibre gun suitable for installation on large and medium size ships and intended for surface fire and naval gunfire support as main role and anti-aircraft fire as secondary role. The compactness of the gun feeding system makes installation possible on narrow section vessels.

It is equipped with a modular feeding magazine, composed by 4 drums with 14 ready to fire ammunition each, reloadable during firing, and highly flexible in terms of selection of ammunition, independently from their position in the drums.

Ammunition flow is reversible as rounds can be downloaded automatically.

The OTO 127/64 LW -VULCANO can fire all standard 127mm/5 inch ammunition as well as the new OTO VULCANO family of ammunition.

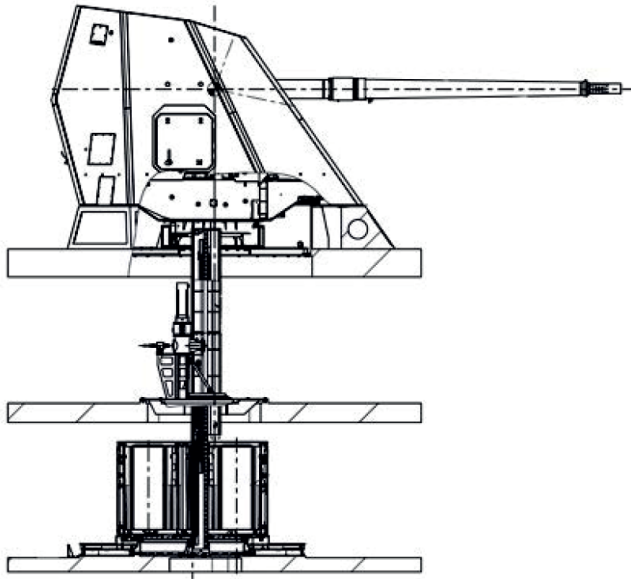
It has digital/analogical interface and ballistic calculation capabilities that allow a smooth integration with any Combat Management System.

The Automatic Ammunition Handling System is a modular solution adaptable to any ship ammunition magazine layout; it is able to load the feeding magazine of the gun without man assistance during operation to allow a sustained firing action of the gun. The system is able to handle both standard 127mm/5-inches ammunition and new VULCANO family of ammunition.

The Naval Fire Control Support is a mission planning system that may support the Combat Management System for definition of possible firing solutions, ammunition selection, trajectory definition, best ship course identification.

The OTO 127mm VULCANO ammunition family, is composed by Ballistic Extended Range (BER) and Guided Long Range (GLR) ammunition with different multifunctional fuses, sensor and final guidance that extend the range of the gun up to 100km.

The OTO 127/64 LW VULCANO System is ITAR free and has been currently selected by three customers.



TECHNICAL SPECIFICATIONS

Rate of fire:	32 rds/min \pm 10% elevation depending
Dry Weight (without ammunition): Configuration depending	33,000 kg \pm 5%
Training arc (with slip ring):	\pm 55°
Elevation arc:	-12° / +70°
Training speed/acceleration max:	40°/sec (60°/sec ²)
Elevation speed/acceleration:	30°/sec (40°/sec ²)
Ready-to-fire-rounds:	56
Range (max):	>100 Km (Vulcano ammunition)
Cooling system:	Sea water-fresh water for flushing
Electrical power supply:	440V, 3-phase, 60Hz, <135kW, main circuit, 115V, 1-phase, 60Hz, 4kW

For more information:
infomarketing@leonardo.com

Electronics Division
Via Tiburtina, Km 12.400 - 00131 Rome - Italy
T +39 06 41501
F +39 06 4131133

This publication is issued to provide outline information only and is supplied without liability for errors or omissions.
No part of it may be reproduced or used unless authorised in writing.
We reserve the right to modify or revise all or part of this document without notice.

2022 © Leonardo S.p.A.

MM08728 06-22



leonardo.com

